

227 SERIES

Horizontal Hold Down Clamps | Product Overview

Features:

- Low profile
- Large handle clearance in the open position.
- Available in stainless steel
- BLK models feature a black, non-reflective finish
- 5 handle colors - see page MC-PRO-7 for details

Applications:

- Assembly
- Checking fixtures
- Closures
- Woodworking

Also Available:

See page MC-ACC-1 for accessories
Accommodates M6 or 5/16" spindle accessory

227-U/USS
Flanged Base
U-Bar



-USS Stainless Steel Model

227-U-LS-BLK ⓘ
Blackout Series
Flanged Base
U-Bar

227-UB
Straight Base
U-Bar

227-UB-LS-BLK ⓘ
Blackout Series
Straight Base
U-Bar

227-U-L ⓘ
Flanged Base
Open Bar



227-U-L-BLK ⓘ
Flanged Base
Open Bar



227-UB-L ⓘ
Straight Base
Open Bar



227-UB-L-BLK ⓘ
Blackout Series
Straight Base
Open Bar



Color Handles

Available on models in this series that use standard red handles.* Add -Y, -G, -B, -K to end of model number.

*Excludes Blackout Series.



ⓘ This item is available upon request

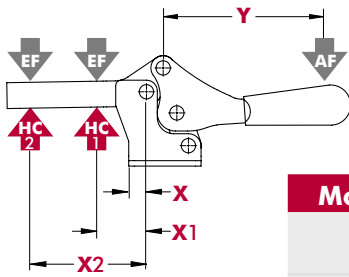
Technical Information

Model	Max. Holding Capacity	Clamp Bar Opening (+10°)	Handle Opening (+10°)	Weight	Accessories (Supplied)	
					Spindle Assembly	Flanged Washers
227-U	[500 lbf] 2220 N	91°	56°	[0.68 lb] 0,31 kg	225208-M	507107
227-U-LS-BLK ⓘ					--	507107-BLK
227-USS	2670 N [600 lbf]				-207943-M	507907
227-UB	[500 lbf] 2220 N				225208-M	507107
227-UB-LS-BLK ⓘ					--	507107-BLK
227-U-L ⓘ					--	507107
227-U-L-BLK ⓘ					--	507107-BLK
227-UB-L ⓘ					--	507107
227-UB-L-BLK ⓘ		--	507107-BLK			

ⓘ This item is available upon request

227 SERIES

Horizontal Hold Down Clamps | Holding Capacities

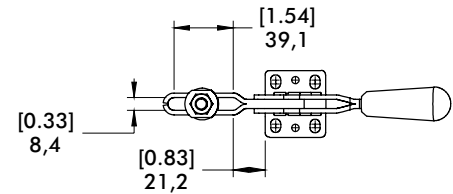


Model	X	X1	X2	Y	±HC1	±HC2	±EF(X1):AF	±EF(X2):AF
U					[500 lbf] 2220 N	[225 lbf] 1000 N		
USS	[0.39] 10,0	[1.25] 31,8	[2.75] 70,0	[3.58] 91,0	[600 lbf] 2670 N	[270 lbf] 1200 N	8:1	3:1
UB/U-L/ UB-L					500 lbf 2220 N	[225 lbf] 1000 N		

Dimensions shown "mm [inch]" ± HC = Holding Capacity, EF = Exerting Force, AF = Applied Force
See page MC-TEC-4 for additional information.

Dimensions | -U/-USS/-UB

227-U Flanged Base U-Bar

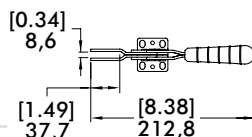


Series 227 Open Bar Options

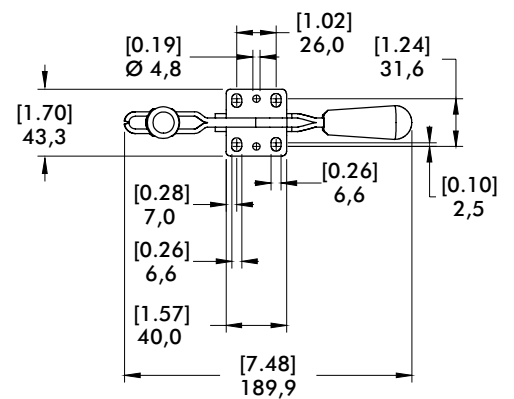
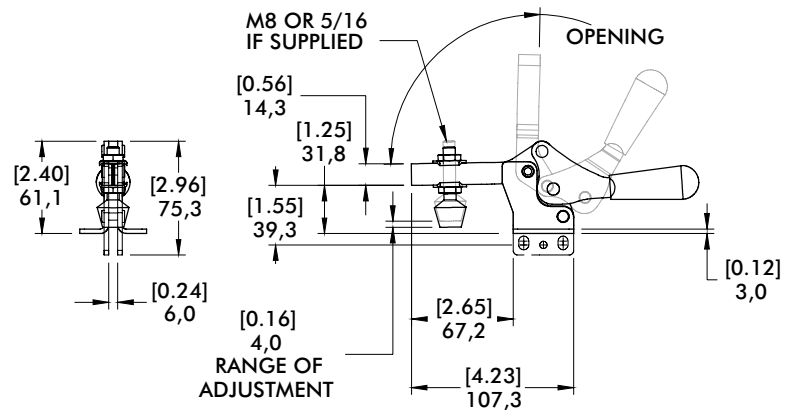
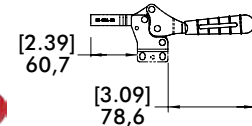


Flanged Base Model 227-U-L

See page MC-ACC-7 for Complete offering of Open bar accessories



Straight Base Model 227-UB-L



mm [INCH]
THIRD ANGLE PROJECTION