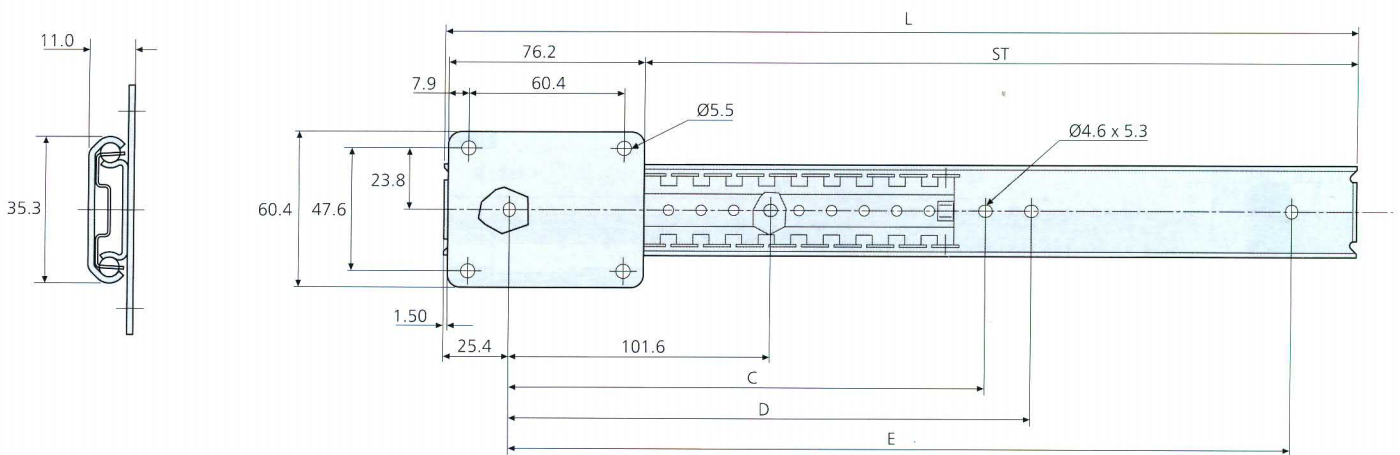


- Load rating up to 68kg
- Precise linear motion through the full travel
- Moving member fully supported on ball bearings at all times
- Black chromate finish
- Charge jusqu'à 68kg
- Guidage linéaire précis sur toute sa course
- Curseur mobile en prise permanente sur le train de billes
- Zingué passivé noir
- Lastwert bis 68kg
- Präzise Linearbewegung über den gesamten Fahrweg
- Bewegliches Element jederzeit voll kugellagergestützt
- Schwarz chromatierte Oberfläche



| 0115 | mm | | | | | kg | | |
|-------------|-------|-------|-------|-------|-------|------|----|-----|
| | SL | TR | C | D | E | W | L† | L†† |
| DB0115-1203 | 304.8 | 225.6 | - | 152.4 | 254.0 | 0.56 | 68 | 57 |
| DB0115-1403 | 355.6 | 276.4 | - | 203.2 | 304.8 | 0.63 | 66 | 55 |
| DB0115-1603 | 406.4 | 327.2 | - | 254.0 | 355.6 | 0.72 | 63 | 53 |
| DB0115-1803 | 457.2 | 378.0 | 203.2 | 304.8 | 406.4 | 0.80 | 61 | 51 |
| DB0115-2003 | 508.0 | 428.8 | 228.6 | 355.6 | 457.2 | 0.84 | 60 | 50 |
| DB0115-2203 | 558.8 | 479.6 | 254.0 | 406.4 | 508.0 | 0.91 | 57 | 48 |
| DB0115-2403 | 609.6 | 530.4 | 279.4 | 457.2 | 558.8 | 0.98 | 55 | 46 |
| DB0115-2603 | 660.4 | 581.2 | 304.8 | 508.0 | 609.6 | 1.06 | 52 | 44 |
| DB0115-2803 | 711.2 | 632.0 | 330.2 | 558.8 | 660.4 | 1.13 | 51 | 43 |

Notes:

- Fixing recommendation: M4 screw
- † Horizontal mount
- †† Vertical mount

Notes:

- Visserie recommandée: Vis M4
- † Montage à plat
- †† Montage sur chant

Hinweise:

- Empfohlene Befestigung: Schraube M4
- † Horizontal montiert
- †† Vertikal montiert