

## Artikelbeschreibung/Produktabbildungen

### Beschreibung

**Werkstoff:**

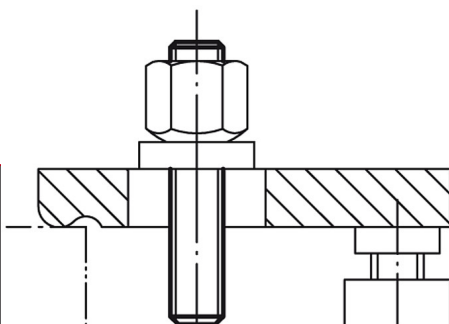
Vergütungsstahl.

**Ausführung:**

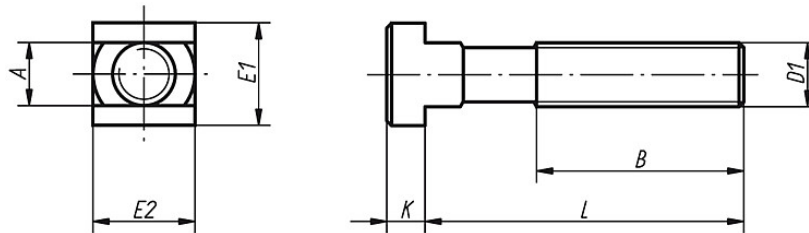
geschmiedet, gefräste Nutenführung, gerolltes Gewinde.

M6 M12 vergütet auf 10.9, schwarz.

M14 M36 vergütet auf 8.8, schwarz.



**Zeichnungen**



**Artikelübersicht**

| Bestellnummer | Nutennennmaß | D1  | L   | A    | B   | E1/E2 | K  | Gewicht<br>ca. g |
|---------------|--------------|-----|-----|------|-----|-------|----|------------------|
| K0698.0625    | 6            | M6  | 25  | 5,7  | 15  | 10    | 4  | 9                |
| K0698.0640    | 6            | M6  | 40  | 5,7  | 28  | 10    | 4  | 12               |
| K0698.0663    | 6            | M6  | 63  | 5,7  | 40  | 10    | 4  | 18               |
| K0698.0832    | 8            | M8  | 32  | 7,7  | 22  | 13    | 6  | 20               |
| K0698.0850    | 8            | M8  | 50  | 7,7  | 35  | 13    | 6  | 25               |
| K0698.0880    | 8            | M8  | 80  | 7,7  | 50  | 13    | 6  | 30               |
| K0698.1040    | 10           | M10 | 40  | 9,7  | 30  | 15    | 6  | 30               |
| K0698.1063    | 10           | M10 | 63  | 9,7  | 45  | 15    | 6  | 50               |
| K0698.10100   | 10           | M10 | 100 | 9,7  | 60  | 15    | 6  | 70               |
| K0698.1250    | 12           | M12 | 50  | 11,7 | 35  | 18    | 7  | 60               |
| K0698.1263    | 12           | M12 | 63  | 11,7 | 40  | 18    | 7  | 65               |
| K0698.1280    | 12           | M12 | 80  | 11,7 | 55  | 18    | 7  | 75               |
| K0698.12100   | 12           | M12 | 100 | 11,7 | 65  | 18    | 7  | 90               |
| K0698.12125   | 12           | M12 | 125 | 11,7 | 75  | 18    | 7  | 110              |
| K0698.12160   | 12           | M12 | 160 | 11,7 | 100 | 18    | 7  | 135              |
| K0698.12200   | 12           | M12 | 200 | 11,7 | 120 | 18    | 7  | 160              |
| K0698.1450    | 14           | M12 | 50  | 13,7 | 35  | 22    | 8  | 70               |
| K0698.1463    | 14           | M12 | 63  | 13,7 | 45  | 22    | 8  | 80               |
| K0698.1480    | 14           | M12 | 80  | 13,7 | 55  | 22    | 8  | 100              |
| K0698.14100   | 14           | M12 | 100 | 13,7 | 65  | 22    | 8  | 110              |
| K0698.14125   | 14           | M12 | 125 | 13,7 | 75  | 22    | 8  | 120              |
| K0698.14160   | 14           | M12 | 160 | 13,7 | 100 | 22    | 8  | 150              |
| K0698.14200   | 14           | M12 | 200 | 13,7 | 120 | 22    | 8  | 180              |
| K0698.16631   | 16           | M14 | 63  | 15,7 | 45  | 25    | 9  | 115              |
| K0698.16801   | 16           | M14 | 80  | 15,7 | 55  | 25    | 9  | 130              |
| K0698.161001  | 16           | M14 | 100 | 15,7 | 65  | 25    | 9  | 150              |
| K0698.161251  | 16           | M14 | 125 | 15,7 | 75  | 25    | 9  | 180              |
| K0698.161601  | 16           | M14 | 160 | 15,7 | 100 | 25    | 9  | 220              |
| K0698.162501  | 16           | M14 | 250 | 15,7 | 150 | 25    | 9  | 300              |
| K0698.1663    | 16           | M16 | 63  | 15,7 | 45  | 25    | 9  | 140              |
| K0698.1680    | 16           | M16 | 80  | 15,7 | 55  | 25    | 9  | 160              |
| K0698.16100   | 16           | M16 | 100 | 15,7 | 65  | 25    | 9  | 180              |
| K0698.16125   | 16           | M16 | 125 | 15,7 | 85  | 25    | 9  | 225              |
| K0698.16160   | 16           | M16 | 160 | 15,7 | 100 | 25    | 9  | 260              |
| K0698.16200   | 16           | M16 | 200 | 15,7 | 125 | 25    | 9  | 315              |
| K0698.16250   | 16           | M16 | 250 | 15,7 | 150 | 25    | 9  | 380              |
| K0698.1863    | 18           | M16 | 63  | 17,7 | 45  | 28    | 10 | 160              |
| K0698.1880    | 18           | M16 | 80  | 17,7 | 55  | 28    | 10 | 185              |
| K0698.18100   | 18           | M16 | 100 | 17,7 | 65  | 28    | 10 | 203              |
| K0698.18125   | 18           | M16 | 125 | 17,7 | 85  | 28    | 10 | 245              |
| K0698.18160   | 18           | M16 | 160 | 17,7 | 100 | 28    | 10 | 280              |
| K0698.18200   | 18           | M16 | 200 | 17,7 | 125 | 28    | 10 | 330              |
| K0698.18250   | 18           | M16 | 250 | 17,7 | 150 | 28    | 10 | 430              |
| K0698.2080    | 20           | M20 | 80  | 19,7 | 55  | 32    | 12 | 290              |
| K0698.20100   | 20           | M20 | 100 | 19,7 | 65  | 32    | 12 | 340              |

**Artikelübersicht**

| Bestellnummer | Nutennennmaß | D1  | L   | A    | B   | E1/E2 | K  | Gewicht<br>ca. g |
|---------------|--------------|-----|-----|------|-----|-------|----|------------------|
| K0698.20125   | 20           | M20 | 125 | 19,7 | 85  | 32    | 12 | 390              |
| K0698.20160   | 20           | M20 | 160 | 19,7 | 110 | 32    | 12 | 470              |
| K0698.20200   | 20           | M20 | 200 | 19,7 | 125 | 32    | 12 | 550              |
| K0698.20250   | 20           | M20 | 250 | 19,7 | 150 | 32    | 12 | 670              |
| K0698.20315   | 20           | M20 | 315 | 19,7 | 190 | 32    | 12 | 800              |
| K0698.2280    | 22           | M20 | 80  | 21,7 | 55  | 35    | 14 | 330              |
| K0698.22100   | 22           | M20 | 100 | 21,7 | 65  | 35    | 14 | 400              |
| K0698.22125   | 22           | M20 | 125 | 21,7 | 85  | 35    | 14 | 428              |
| K0698.22160   | 22           | M20 | 160 | 21,7 | 110 | 35    | 14 | 500              |
| K0698.22200   | 22           | M20 | 200 | 21,7 | 125 | 35    | 14 | 570              |
| K0698.22250   | 22           | M20 | 250 | 21,7 | 150 | 35    | 14 | 680              |
| K0698.22315   | 22           | M20 | 315 | 21,7 | 190 | 35    | 14 | 820              |
| K0698.24100   | 24           | M24 | 100 | 23,7 | 70  | 40    | 16 | 540              |
| K0698.24125   | 24           | M24 | 125 | 23,7 | 85  | 40    | 16 | 640              |
| K0698.24160   | 24           | M24 | 160 | 23,7 | 110 | 40    | 16 | 770              |
| K0698.24200   | 24           | M24 | 200 | 23,7 | 125 | 40    | 16 | 900              |
| K0698.24250   | 24           | M24 | 250 | 23,7 | 150 | 40    | 16 | 1040             |
| K0698.24315   | 24           | M24 | 315 | 23,7 | 190 | 40    | 16 | 1270             |
| K0698.24400   | 24           | M24 | 400 | 23,7 | 240 | 40    | 16 | 1410             |
| K0698.28100   | 28           | M24 | 100 | 27,7 | 70  | 44    | 18 | 650              |
| K0698.28125   | 28           | M24 | 125 | 27,7 | 85  | 44    | 18 | 720              |
| K0698.28160   | 28           | M24 | 160 | 27,7 | 110 | 44    | 18 | 800              |
| K0698.28200   | 28           | M24 | 200 | 27,7 | 125 | 44    | 18 | 950              |
| K0698.28250   | 28           | M24 | 250 | 27,7 | 150 | 44    | 18 | 1120             |
| K0698.28315   | 28           | M24 | 315 | 27,7 | 190 | 44    | 18 | 1350             |
| K0698.28400   | 28           | M24 | 400 | 27,7 | 240 | 44    | 18 | 1490             |
| K0698.36125   | 36           | M30 | 125 | 35,6 | 80  | 54    | 22 | 1250             |
| K0698.36160   | 36           | M30 | 160 | 35,6 | 110 | 54    | 22 | 1440             |
| K0698.36200   | 36           | M30 | 200 | 35,6 | 135 | 54    | 22 | 1630             |
| K0698.36250   | 36           | M30 | 250 | 35,6 | 150 | 54    | 22 | 1920             |
| K0698.36315   | 36           | M30 | 315 | 35,6 | 200 | 54    | 22 | 2300             |
| K0698.36500   | 36           | M30 | 500 | 35,6 | 300 | 54    | 22 | 3300             |
| K0698.42160   | 42           | M36 | 160 | 41,6 | 100 | 65    | 26 | 2200             |
| K0698.42250   | 42           | M36 | 250 | 41,6 | 175 | 65    | 26 | 2820             |
| K0698.42400   | 42           | M36 | 400 | 41,6 | 250 | 65    | 26 | 3930             |
| K0698.42600   | 42           | M36 | 600 | 41,6 | 340 | 65    | 26 | 5480             |