

602, 604, 624 SERIES

Straight Line Action Clamps | Product Overview

Features:

- Versatile and compact straight line action clamps
- Threaded body for through hole mounting
- Stainless Steel **-SS** models available
- Toggle Lock Plus™ **-R** versions available (604, 624 only)
- 5 handle colors - see page MC-PRO-7 for details

Applications:

- Assembly
- Checking fixtures
- Welding fixtures
- Tensioning devices

Also Available:

See page MC-ACC-1 for accessories

602
602-SS
602-MM
602-MMSS



604
604-SS
604-MM
604-MMSS ⓘ



624
624-SS
624-MM
624-MMSS ⓘ



Color Handles
Available on models in this series. Add **-Y, -G, -B, -K** to end of model number.

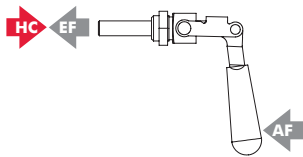
604-**R**
604-**RSS**
604-**MMR**
604-**MMRSS**
with DESTACO®
Toggle Lock Plus™



624-**R**
624-**RSS**
624-**MMR**
624-**MMRSS**
with DESTACO®
Toggle Lock Plus™



Technical Information | Holding Capacities | Dimensions



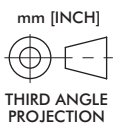
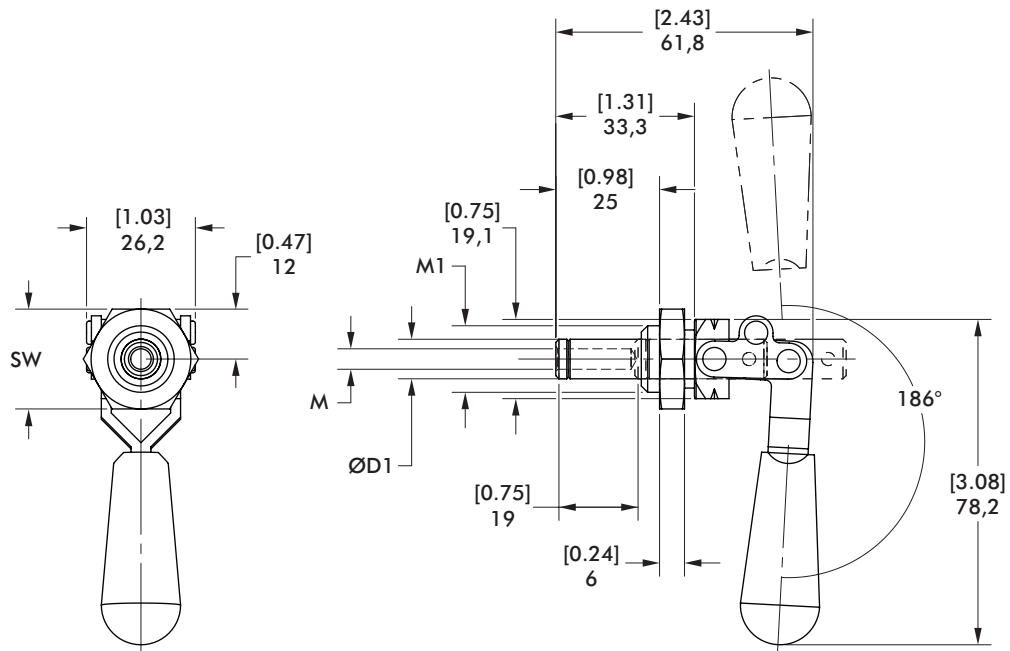
Model	Max. Holding Capacity	Weight	EF:AF (pushing/pulling)	Plunger Travel	Plunger Thread	Spindle (Recommended)	Mounting Nut (Supplied)
602					1/4-20	205203	602105
602-SS	[200 lbf]	[0.12 lb]	31:1/28:1	[0.75] 19	M6	202943	602905
602-MM	900 N	0,05 kg				205203-M	602105-M
602-MMSS						202943-M	602905-M
604	[300 lbf]		45:1/26:1	[1.50] 38	5/16-18	207203	606104
604-R	1330 N					--	606904
604-SS	[400 lbf]	[0.44 lb] 0,20 kg			M8	207943	606104-M
604-RSS	1780 N					207943-M (included)	606904-M
604-MM	[300 lbf]						
604-MMR	1330 N						
604-MMSS ⓘ	[400 lbf]						
604-MMRSS	1780 N						
624			49:1/21:1	[2.63] 66	3/8-16	210203	624105
624-R						--	624905
624-SS					M10	237943 (included)	624905
624-RSS	[700 lbf]	[1.63 lb]				210203-M	624105-M
624-MM	3110 N	0,74 kg					
624-MMR							
624-MMSS							
624-MMRSS							

ⓘ This item is available upon request HC = Holding Capacity, EF = Exerting Force, AF = Applied Force

602 SERIES

Straight Line Action Clamps | Dimensions | -SS/-MM/-MMSS

602
602-SS
602-MM
602-MMSS



Modell	ØD1	M	M1	SW
602	10 [0.39]	1/4-20	5/8-18	[0.88]
602-SS	9,5 [0.37]			22,4
602-MM	10 [0.39]	M6	M16x1.5	[0.94]
602-MMSS	10 [0.39]			24

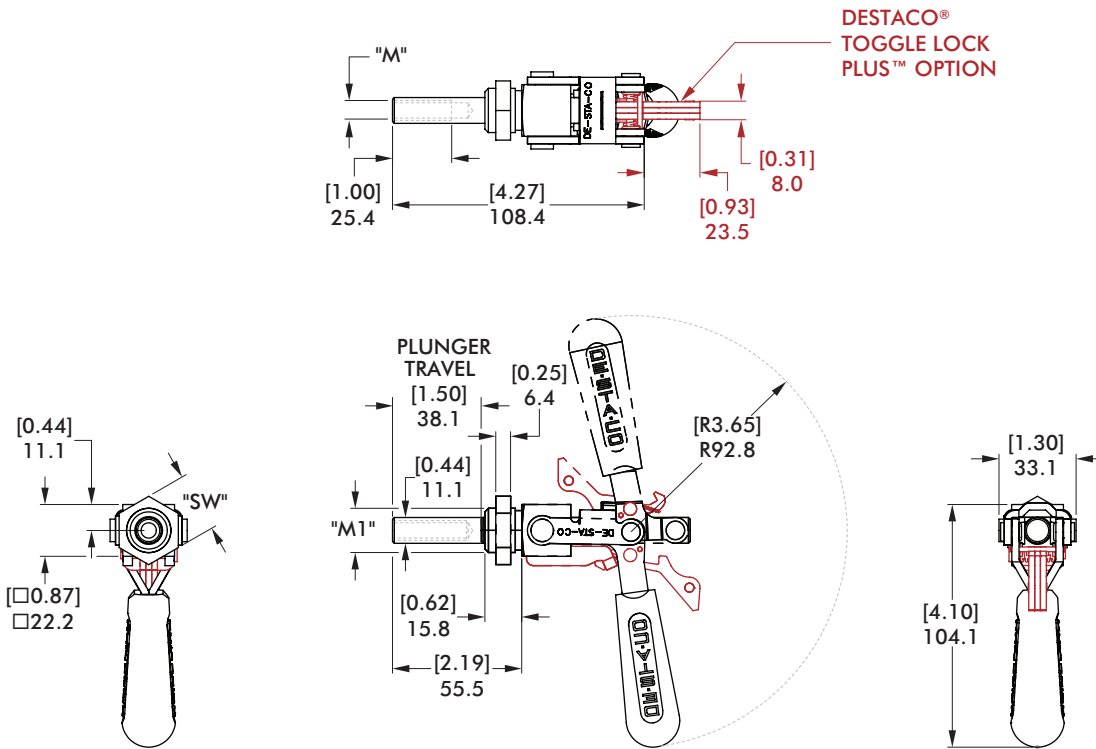
604 SERIES

Straight Line Action Clamps | Dimensions | -SS/-MM/-MMSS/-R/-RSS/-MMR/-MMRSS

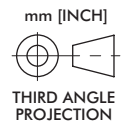
604
604-SS
604-MM
604-MMSS ⓘ



604-R
604-RSS
604-MMR
604-MMRSS



Model no.	M	M1	SW
604			
604-SS	5/16-18	3/4-16	[1.00] 25,4
604-R			
604-RSS			
604-MM			
604-MMSS	M8	M20x1.5	[1.18] 30
604-MMR			
604-MMRSS			



624 SERIES

Straight Line Action Clamps | Dimensions | -SS/-MM/-R/-RSS/-MMR/-MMRSS

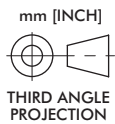
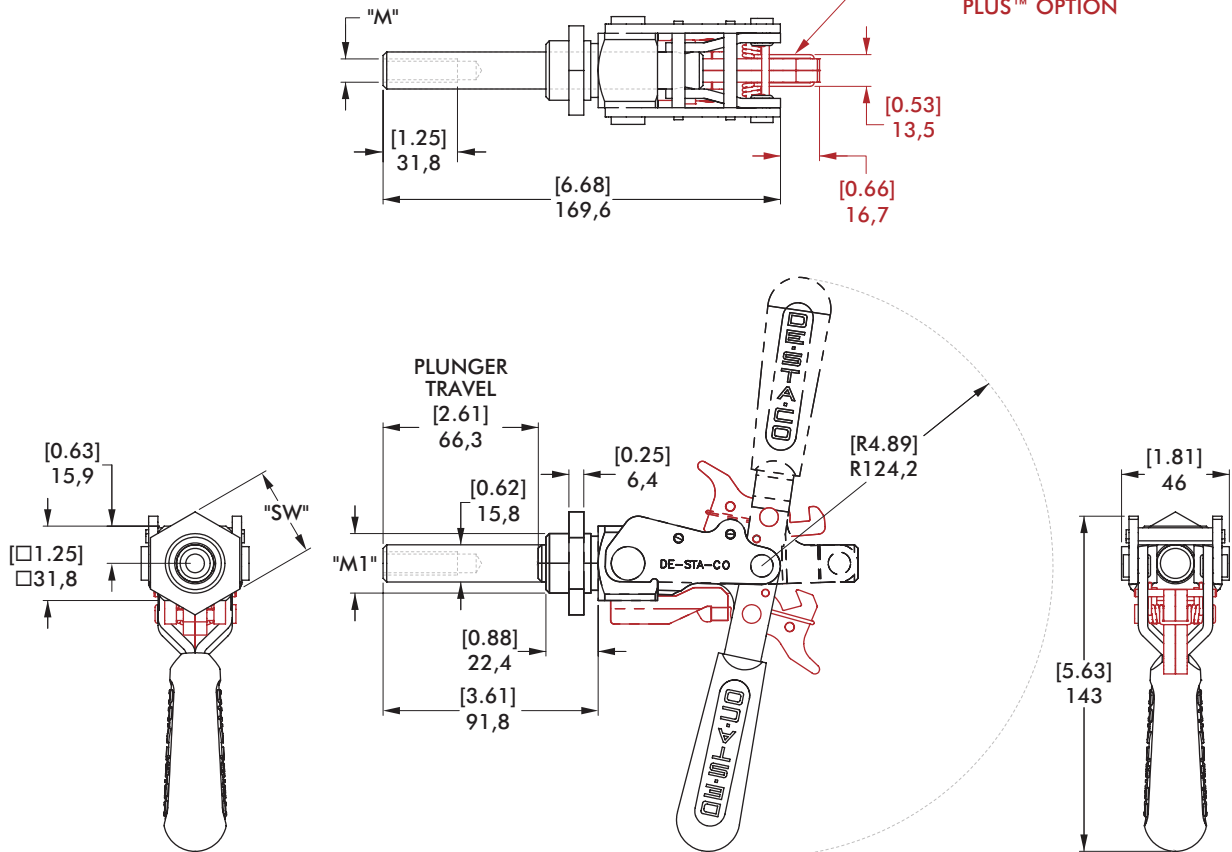
624
624-SS
624-MM



624-R
624-RSS
624-MMR
624-MMRSS



DESTACO®
TOGGLE LOCK
PLUS™ OPTION



Model no.	M	M1	SW
624			
624-SS	3/8-16	1-14	[1.50] 38,1
624-R			
624-RSS			
624-MM			
624-MMR	M10	M27x2	[1.61] 41
624-MMRSS			